



9mm Snap-In Insulated Shaft Potentiometer

RK-0901N

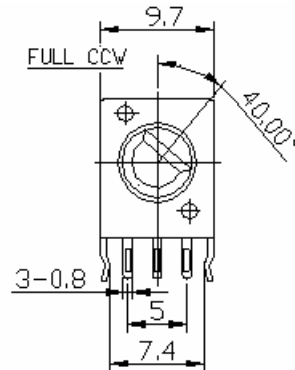
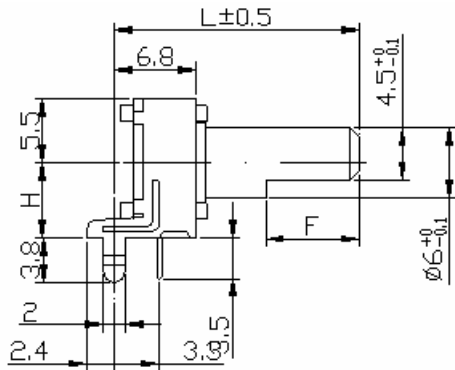


Part Number

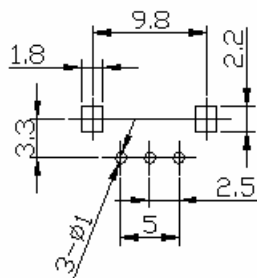
RK-0901N - B 50K, L - 20 KC

Taper Resistance Value Shaft Type
Shaft Length

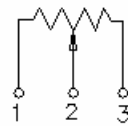
Dimensions



P.C.B LAYOUT



CIRCUIT



9mm Snap-In Insulated Shaft Potentiometer

RK-0902N

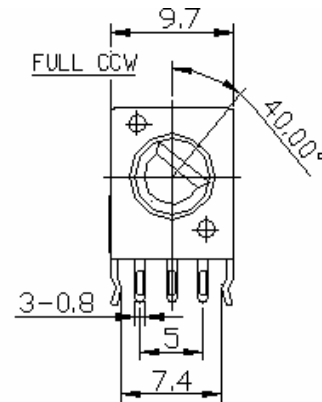
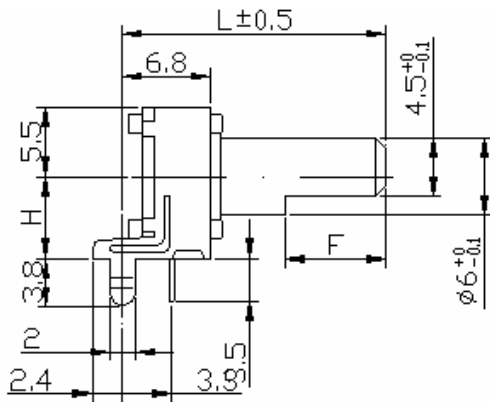


Part Number

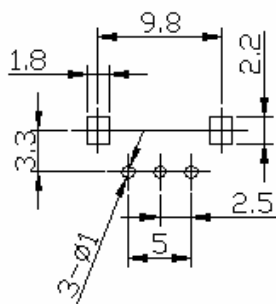
RK-0902N - B 50K, L - 20 KC

↓ Taper ↓ Resistance Value ↓ Shaft Length ↓ Shaft Type

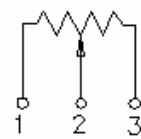
Dimensions



P.C.B LAYOUT



CIRCUIT



9mm Snap-In Insulated Shaft Potentiometer

RK-0903N

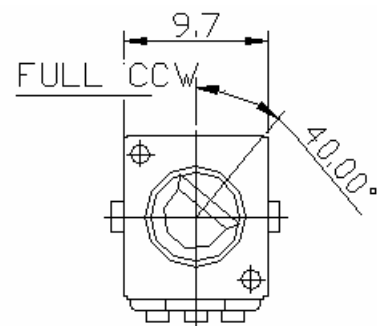
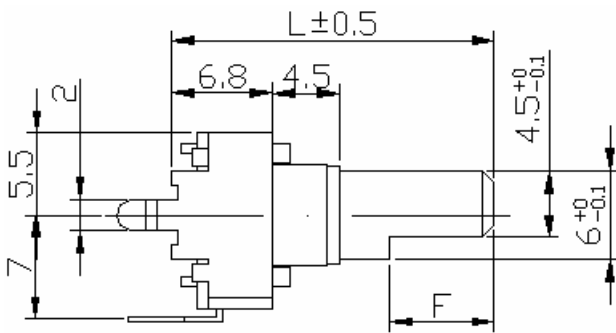


Part Number

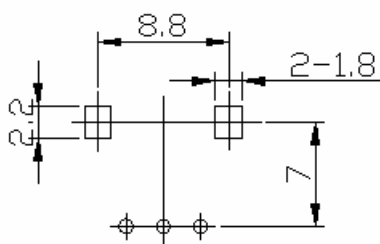
RK-0903N - B 50K, L - 20 KC

Taper Resistance Value Shaft Type
Shaft Length

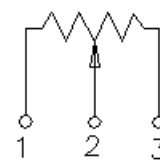
Dimensions



P.C.B LAYOUT



CIRCUIT



9mm Snap-In Insulated Shaft Potentiometer

RK-0904N



Part Number

RK-0904N - B 50K, L - 20 KC

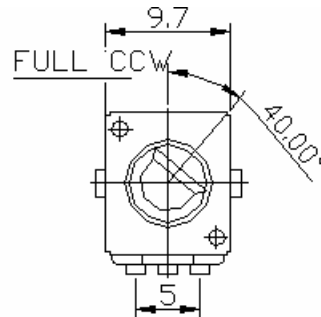
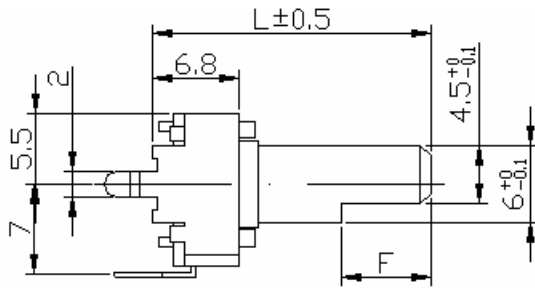
Taper

Resistance Value

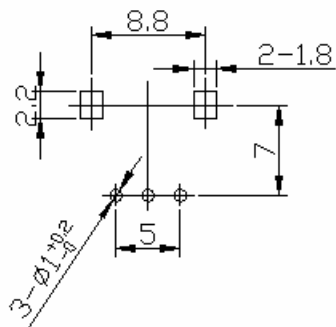
Shaft Type

Shaft Length

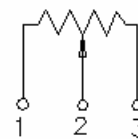
Dimensions



P.C.B LAYOUT



CIRCUIT



9mm Snap-In Insulated Shaft Potentiometer

Shaft Type

KC TYPE:

18 Teeth knurl
9
1.5
C
Shaft shown at center position
50°

L	15KC	20KC	25KC	30KC
KC	7	7		

KS TYPE:

9
4
S
24 teeth
C0.5

L	15KS	20KS	25KS	30KS	35KS
S	7	7	7	7	7

KQ TYPE:

9
Q
40 teeth
C0.5

L	15KQ	20KQ	25KQ	30KQ	35KQ
Q	6	7	7	7	7

KT TYPE:

9
T
40 teeth
C0.5

L	9KT	15KT	20KT	25KT	30KT
T	-	6	7		

F TYPE:

9
F
4.5
C0.5

L	15F	20F	25F	30F
F	6	7	12	12

9mm Snap-In Insulated Shaft Potentiometer

Electrical Characteristics

All Resistance	500Ω ~ 500KΩ				
All Resistance Tolerance	± 20%				
Resistance Taper	A. B. C. D. W. Taper				
Resistance Taper Characteristics	A50%	B50%	C50%	D50%	W50%
	15-25%	40-60%	75-85%	2-15%	45-55%
Rated Power	0.05 W				
Residual Resistance	R ≧ 250KΩ 0.1%				
	250KΩ > R > 10KΩ		20ΩMax. (between Term. 1, 2)		
	10KΩ ≧ R		20ΩMax. (between Term. 1, 2)		
Noise	100 mV Max.				
Max. Operating Voltage	AC 50V; DC12V				
Insulation Resistance	DC 250V 100MΩ Min.				
Withstand Voltage	1 minute at AC 250V Min.				
Working Life	15,000 Cycles Min.				

Mechanical Characteristics

Total Rotational Angle	280° ± 5°
Rotation Stopper Strength	5kgf.cm max./3 sec.
Rotational Torque	30 ~ 150gf.cm
Pull-Push Strength	5kgf.cm max./3 sec.
Shaft Wobble	0.8 x L / 20 mmp-p max.
Center Click Torque	150 ~ 300 g.cm
Shaft Bending	0.3mm max.
Solder Heat	300°C, 3sec (Only For Hand-Soldering)
Remark	§ Insulated shaft of black.