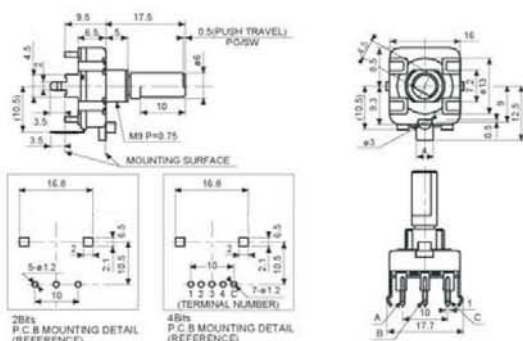


Rotary Encoders RE Series

REB162PVB

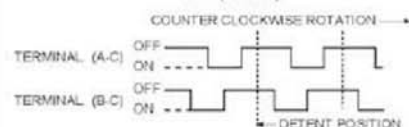
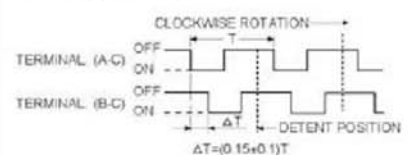


■ Specification of Push-Momentary Switch (For REB162, REB202)

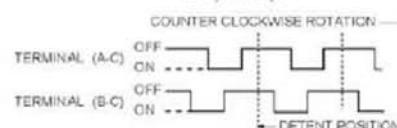
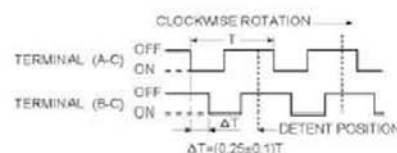
Circuit	SPST
Rated Voltage/Rated Current	DC 16V 20mA
Contact Resistance	100mΩ max.
Insulation Resistance	10MΩ min. at DC 100V
Withstand Voltage	AC 100V for 1 minute
Push Travel	0.5mm
Operating Force	5 ± 1.5 N
Operational Life	10,000 actuations

■ INCREMENTAL OUTPUT SIGNAL (For REB162)

INA (2 Bits) (Standard)



INA (2 Bits) (Option)



■ OUTPUT SIGNAL (Pulse Type) ■ GRAY CODE (For REB162, RE0201, REB202)

Position	1	2	3	4	5	6	7	8	9	10	11	12	13	14	15	16	17	18	19	20	21	22	23	24	25	26	27	28	29	30	31	32				
Terminal Number 1		○	○			○	○			○	○			○	○			○	○			○	○			○	○			○	○					
Terminal Number 2			○	○			○	○			○	○			○	○			○	○			○	○			○	○			○	○				
Terminal Number 3				○	○			○	○			○	○			○	○			○	○			○	○			○	○			○	○			
Terminal Number 4					○	○			○	○			○	○			○	○			○	○			○	○			○	○			○	○		
Terminal Number 5						○	○			○	○			○	○			○	○			○	○			○	○			○	○			○	○	

○=ON

Terminal Number C=Common

*1, *2: GRAY code for REB162 and REB202 start at the position number 2.

SPECIFICATIONS

	REB162	RE0201	REB202
Type of Output Signal	INA, INB (2 Bits) GRAY *1 (4 Bits)	GRAY (5 Bits)	GRAY *2 (5 Bits)
Operating Temperature Range	-30 to 80°C	-30 to 80°C	-30 to 80°C
Rated Voltage/Rated Current	DC 5V 0.5mA	DC 12V 4mA	DC 12V 10mA
Resolution	24 Pulses/360°	15 Positions/300°	24 Positions/360°
Total Rotational Angle	360° Endless	300±5°	360° Endless
Detent Position and Angle	24 Detents 15±3°	15 Detents 21.4±5°	24 Detents 15±3°
Detent Torque	5 to 25 mN·m	5 to 25 mN·m	10 to 30 mN·m
Rotational Life	50,000 cycles	30,000 cycles	10,000 cycles