



9mm Micro Rotary Potentiometer

RK0922N



Part Number

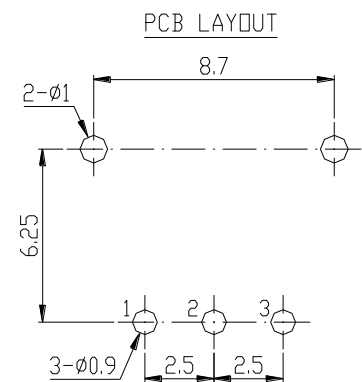
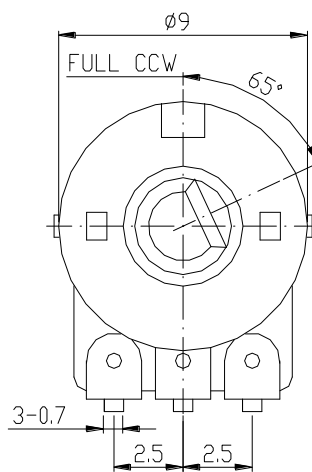
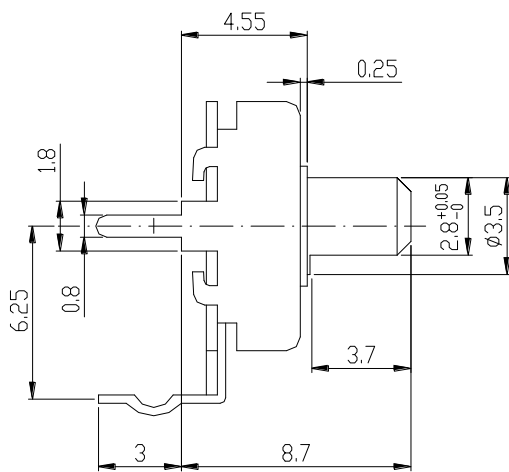
RK0922N- B 10K , L - 8.7

↓
Type

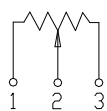
↓
Resistance value

↓
Shaft length

Dimensions



CIRCUIT



**9mm Micro Rotary Potentiometer****General**

Operating temperature	-10 °C ~ +70 °C
Manual soldering	300 °C Max 3sec

Electrical Characteristics

Total resistance	1K ~ 250KΩ
Resistance tolerance	±20%
Resistance taper	A B C
Residual resistance	Less than 20Ω
Sliding noise	Less than 47mV
Rated power(W)	B Taper : 0.05W Other : 0.025W
Max. Operating voltage	10V AC. DC
Insulation resistance	More than 100MΩ at DC 500V
Withstand voltage	1 Minute at AC 100V

Mechanical Characteristics

Total rotational angle	230°±5°
Rotational torque	10 ~ 100 gf.cm
Shaft push-pull strength	2 Kgf.Max
Rotational stopper strength	1 Kgf.cm
Rotational life	10,000 Cycles