

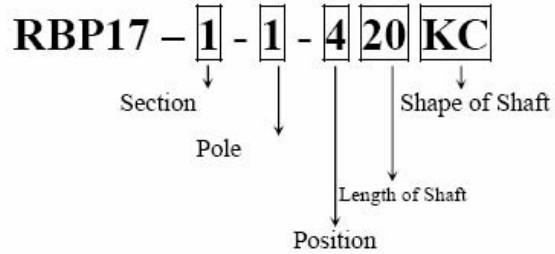


**Rotary Switch (Band Switch) (17 X 18mm)**

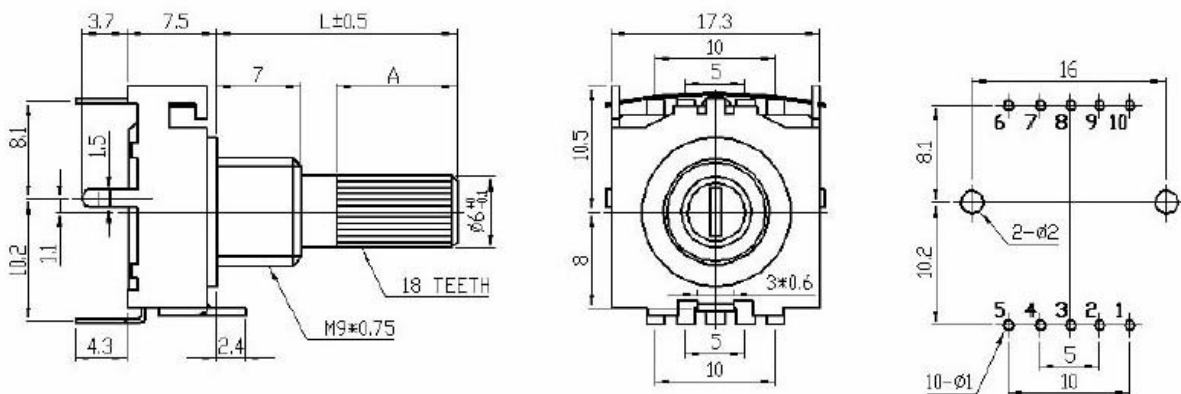
**RBP17-1**



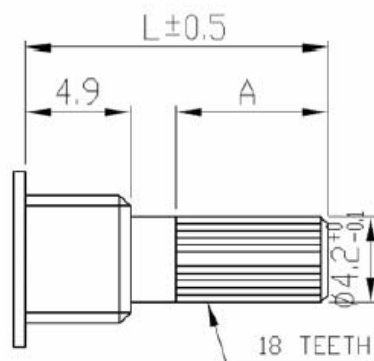
**Part Number**



**Dimensions**



**Shaft Type**



**KC Type**

L	20
A	12

**Rotary Switch (Band Switch)****Electrical Characteristics**

<b>Rated Power</b>	<b>0.3A DC16V</b>
<b>Switch Contact Resistance</b>	100mΩ Max
<b>Insulation Resistance</b>	More than 100 MΩ at DC 100 V
<b>Withstand Voltage</b>	1 Minute at DC 250 V

**Mechanical Characteristics**

<b>Total Rotational Angle</b>	Three crosspiece : $90\pm 5^\circ$ / Four crosspiece: $120\pm 5^\circ$
<b>Stopper Strength</b>	3 kgf.cm max.
<b>Switch Angle</b>	$30\pm 5^\circ$
<b>Switch type</b>	single-pole switch
<b>Rotational Torque</b>	100~400gf.cm
<b>Operating temperature</b>	- 10 °C ~ + 70 °C
<b>Soldering Heat</b>	300°C , 3sec. (Only for Hand-Soldering)
<b>Rotational life</b>	10,000 Cycles