

Attenuator Type-E

ATTENUATOR

Low contact resistance

Au-plated contact materials.

3 types attenuation circuits

Potentiometer, B-T, B-H

High Accuracy

Used a highly precise resistor.

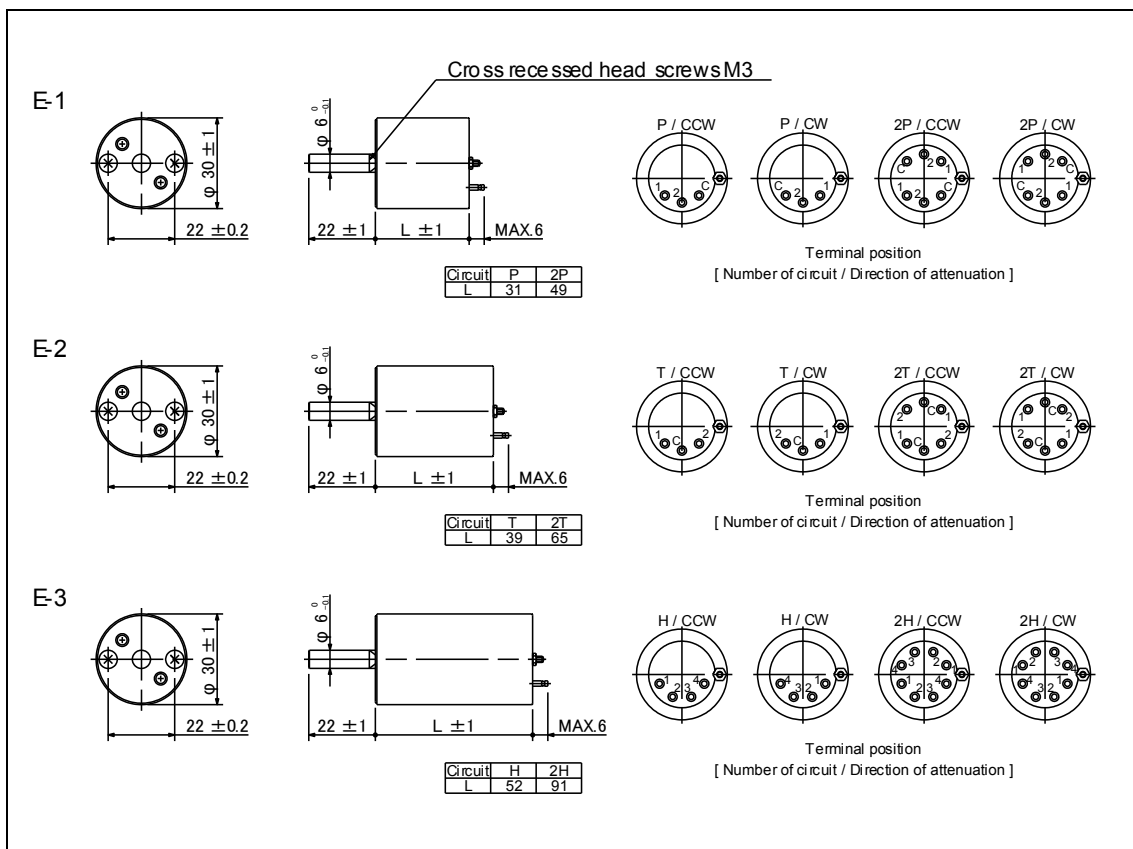


Model number

2 P 50 E S - 10kohm

*A *B Max attenuation Product type *C Impedance
 *A Number of circuit **Blank**: single circuit, **2**: Dual circuits
 *B Circuit **P**: Potentiometer, **T**: Bridged-T, **H**: Bridged-H
 *C Stepper Type **Blank**: Non-stepper type (Without clicks), **S**: Stepper type (With clicks)

Dimensions



Electrical specifications

Type-E			
Attenuation	BTS-50dB 0, 2, 4, ... (2dB step)..., 30, 32, 34, 37, 42, 50, cut off		
Attenuation accuracy	Attenuation step	Error in step	Max. Attenuation
	0.5dB or less	Less than ±0.05	Less than ±0.1
	1~2dB	Less than ±0.1	Less than ±0.2
	3dB or more	Less than ±0.2	Less than ±0.4
Accuracy of Impedance	±2% (Impedance 600ohm), ±5% (other Impedance)		
Cut off (15kHz)	Cut off	Max. Attenuation	Impedance
	80dB Min.	50dB	600ohm
	70dB Min.	50dB	7kohm
	58dB Min.	20dB	7kohm
Voltage proof	1 Min. at AC500V		
Insulation resistance	100Mohm or more at DC500V		
Input level	Max. 0.3W		
Rotational life	30,000 Cycles Min. (18cycles/min, Insertion loss: 1dB or less)		

Mechanical specifications

Type-E	
Operating angle	(Step angle) x (Number of steps) ±2degrees
Strength of Nut-Attached	100Ncm
Attached Parts	M3 screw (Length: Panel thickness + 3~5mm)
Stopper strength	50Ncm
Push-pull strength	50N

General specifications

Type-E	
Temp.range	-10 to +60 degrees C (Operating), -15 to +65 degrees C (Storage)
Relative humidity	80%RH (No condensation)

Note

- * Solder heat resistance: 350degrees C max, 5sec max, to twice. (Manual soldering only)
- * The solder please use the thing of the same composition. (Solder for wire lapping sticks to a terminal.)
Use solder: SN100C (Sn-0.7Cu-0.05Ni-Ge) NIHON SUPERIOR CO.,LTD.
- * Cannot use this product for the signal line using phontom-48V.
- * This product is an attenuator of the types to change resistance. Therefore, a switching noise may occur.

