

# Type-P2510, Type-P2520 Series

# ATTENUATOR

## Au-plated contacts

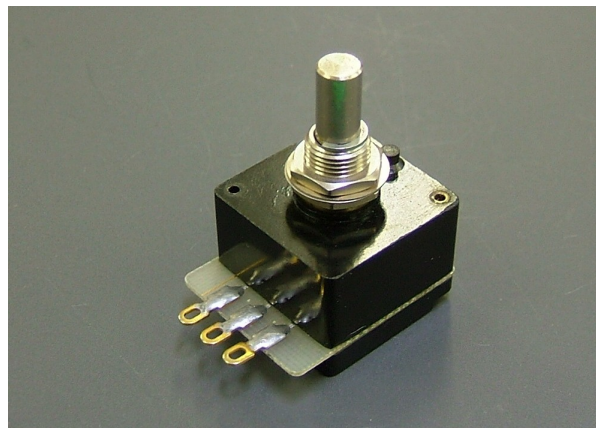
Low contact resistance

## Small size

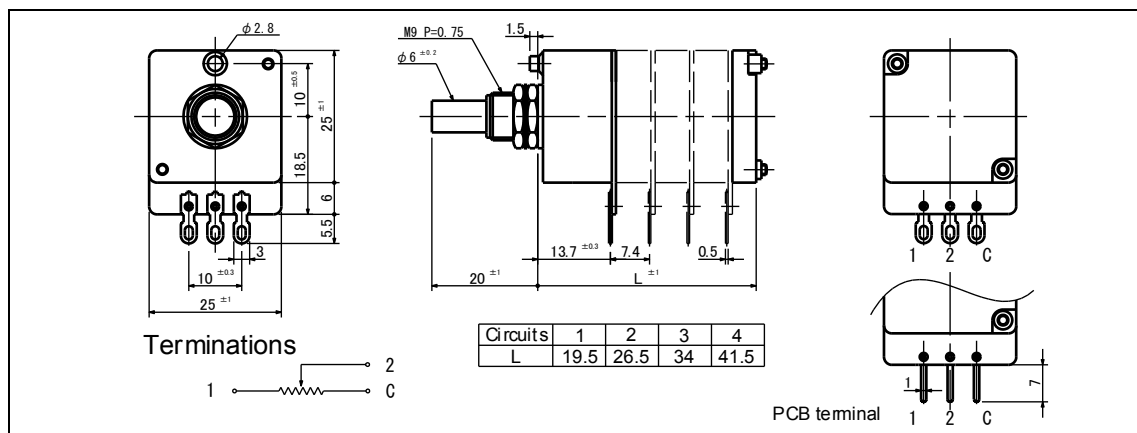
25mm square

## Multiple contact

22 or 21 positions



## Dimensions



## Standard lineups

Model number	Max attenuation	Attenuation types	Total number of steps	Cut off	Direction of attenuation
P2511	50dB	BTS-50dB	21	With	CCW
P2512			20	-	
P2513			21	With	
P2514			20	-	
P2515	20dB	1dB x 20	21	With	
P2516			20	-	
P2517	10dB	0.5dB x 20	21	With	
P2518			20	-	
P2523	40dB	2dB x 20	21	With	CW
P2524			20	-	
P2525			21	With	
P2526			20	-	
P2527	20dB	1dB x 20	21	With	
P2528			20	-	
P2527	10dB	0.5dB x 20	21	With	
P2528			20	-	

The products and their specifications are subject to change without notice.  
TOKYO KO-ON DENPA CO., LTD. www.tkd-corp.com ED01D-201305

## Model number

2	P2512	S	- P	- 10K
Number of circuit (2~4) Blank: single circuit	Model No. (P2511~P2528)	Mechanical click option Blank: Without click S: With click (15degrees step)	Terminal type Blank: Soldering terminal P: PCB terminal	Total resistance

## Electrical specifications

P2510, P2520 Series	
Circuit method	Potentiometer (stepped)
Attenuation (BTS-50dB)	0, 2, 4, ... (2dB step) ... , 30, 32, 34, 37, 42, 50
Attenuation accuracy	±0.3dB
Max attenuation (BTS-50dB)	50dB ±0.6dB
Cut off	80dB Min.
Matching accuracy	0.5dB or less (0dB - 50dB)
Number of circuit	1 ~ 4
Total resistance	1kohm, 7kohm, 10kohm, 100kohm ±3%
Insertion loss	0.3dB or less
Input level	Max. 0.1W
Frequency range	DC ~ 20kHz
Voltage proof	1 Min. at AC500V
Insulation resistance	100Mohm or more at DC500V
Rotational life	30,000 Cycles Min. (18cycles/min, Attenuation accuracy: ±0.5dB or less)

## Mechanical specifications

P2510, P2520 Series	
Operating angle	15degrees x (Total number of steps) ±2degrees
Step angle	15degrees ±1degrees
Strength of nut-attached	50Ncm
Attached parts	Hexagonal nut (M9)
Stopper strength	50N
Push-pull strength	50N

## Other specifications

P2510, P2520 Series	
Temp. range	-10 to +70 degrees C (Operating), -15 to +75 degrees C (Storage)
Relative humidity	90%RH (No condensation)

## Note

\* Solder heat resistance: 350degrees C max, 5sec max, 2 times. (Manual soldering only)  
\* Special order of the shaft length is possible. Please contact us for details.

# Type-P2550, Type-P2560 Series

# ATTENUATOR

## Au-plated contacts

Low contact resistance

## Small size

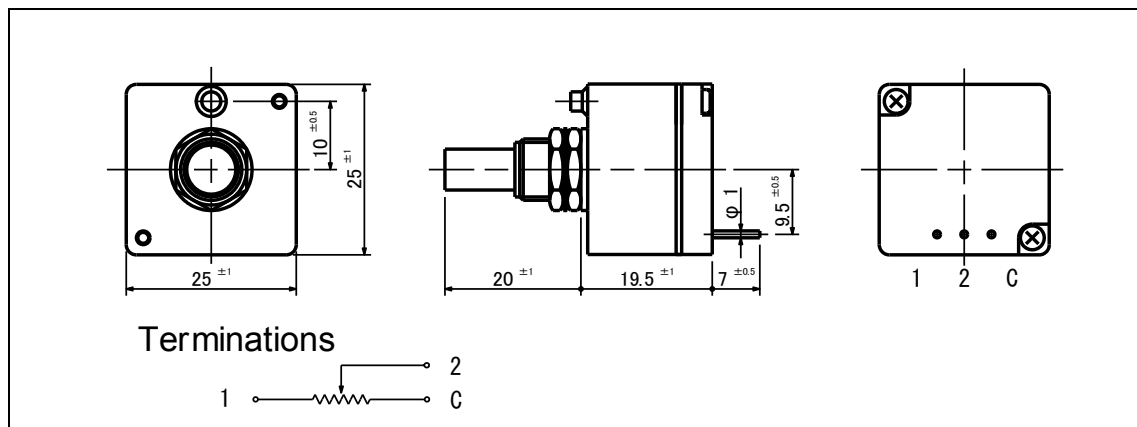
25mm square

## Multiple contact

21 or 20 positions



## Dimensions



## Model number

**P2551**

**S**

**- 10K**

Model No.  
(P2551~P2568)

Mechanical click option  
Blank: Without click  
S: With click (15degrees step)

Total resistance

## Electrical specifications

P2550, P2560 Series	
Circuit method	Potentiometer (step variable)
Attenuation (BTS-50dB)	0, 2, 4, ... (2dB step)..., 30, 32, 34, 37, 42, 50
Attenuation accuracy	±0.3dB
Max attenuation (BTS-50dB)	50dB ±0.6dB
Cut off	80dB Min.
Number of circuit	Single only
Total resistance	1kohm, 7kohm, 10kohm, 100kohm ±3%
Insertion loss	0.3dB or less
Input level	Max. 0.1W
Frequency range	DC ~ 20kHz
Voltage proof	1 Min. at AC500V
Insulation resistance	100Mohm or more at DC500V
Rotational life	30,000 Cycles Min. (18cycles/min, Attenuation accuracy: ±0.5dB or less)

## Standard lineups

Model number	Max attenuation	Attenuation types	Total number of steps	Cut off	Direction of attenuation	
P2551	50dB	BTS-50dB	21	With	CCW	
P2552			20	-		
P2553	40dB	2dB x 20	21	With		
P2554			20	-		
P2555	20dB	1dB x 20	21	With		
P2556			20	-		
P2557	10dB	0.5dB x 20	21	With		
P2558			20	-		
P2563	40dB	2dB x 20	21	With		CW
P2564			20	-		
P2565	20dB	1dB x 20	21	With		
P2566			20	-		
P2567	10dB	0.5dB x 20	21	With		
P2568			20	-		

## Mechanical specifications

P2550, P2560 Series	
Operating angle	15degrees x (Total number of steps) ±2degrees
Step angle	15degrees ±1degrees
Strength of nut-attached	50Ncm
Attached parts	Hexagonal nut (M9)
Stopper strength	50N
Push-pull strength	50N

## Other specifications

P2550, P2560 Series	
Temp. range	-10 to +70 degrees C (Operating), -15 to +75 degrees C (Storage)
Relative humidity	90%RH (No condensation)

## Note

\* Solder heat resistance: 350degrees C max, 5sec max, 2 times. (Manual soldering only)  
\* Special order of the shaft length is possible. Please contact us for details.